

# SPECIFICATION

Customer : Quartz-1

Applied To :

受 控

Product Name : Piezo Siren

Model Name : KPS-G5040-K508


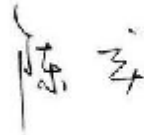

DrawinG No. : KTC508R

Compliance with ROHS(本品符合ROHS指令)

SiGnature of Approval

|  |
|--|
|  |
|--|

SiGnature of KEPO

| Approved by   | Checked by  | Issued by  | Date |
|---|---|--|------|
|  |  |  |      |

宁波凯普电子有限公司

Ningbo Kepo Electronics Co.,Ltd.



宁波东钱湖镇东钱湖工业区宝源路 25 号

TEL:+86-574-88370330 FAX:+86-574-88370329

No.25 Baoyuan road Dongqian Lake, Industry Area, Dongqian town, Ningbo City,  
China(Post Code:315121)

[Sales@chinaacoustic.com](mailto:Sales@chinaacoustic.com) [www.chinaacoustic.com](http://www.chinaacoustic.com)

|                               |                |         |
|-------------------------------|----------------|---------|
| Specification for Piezo Siren | PaGe           | 2/9     |
|                               | Revision No.   | 1.0     |
|                               | DrawinG No.    | KTC508R |
| Model No. :                   | KPS-G5040-K508 |         |

## CONTENTS

1. Scope  
范围
2. General  
概要
3. Electrical and Acoustic Characteristics.  
电声参数
4. Reliability Test  
可靠性试验
5. Measurement Block DiaGram  
测试图
6. Structure  
结构
7. Dimensions  
尺寸
8. PackinG  
包装
9. Revision  
履历表

|                               |                |              |         |
|-------------------------------|----------------|--------------|---------|
| Specification for Piezo Siren |                | PaGe         | 3/9     |
|                               |                | Revision No. | 1.0     |
| Model No. :                   | KPS-G5040-K508 | DrawinG No.  | KTC508R |

## 1. Scope

This product specification is applied to the siren used for sounder in alarm systems. Please contact us when using this product for any other applications than described in the above.

本规格书适用于报警器，通常它用在系统中做报警或提示，如果将该产品用于其它领域，请与我们联系。

## 2. General

- 2.1 Out- Diemeter : Ø50mm  
 外径: Ø50 mm
- 2.2 LenGth: 71mm  
 长度: 71mm
- 2.2 HeiGht 38 mm  
 高度: 38 mm
- 2.3 WeiGht: 45± 5 G.  
 重量: 45± 5克
- 2.4 OperatinG Temperature ranGe:  
 -20~+60°C without loss of function  
 工作温度: -20~+60°C
- 2.5 Store Temperature ranGe:  
 -30~+70°C without loss of function  
 储藏温度: -30~+70°C

## 3. Electrical and Acoustic Characteristics.

Test condition : 15 ~ 35 °C, 25% ~ 85% RH, 860~1060 mbar

测试条件: 15~35 °C, 25%~85%RH, 860~1060mbar

|   | Items<br>项目                       | Specification<br>规格  |
|---|-----------------------------------|--|
| 1 | Rated VoltaGe<br>额定电压             | 12VDC  |
| 2 | OperatinG VoltaGe<br>工作电压         | 6-16VDC  |
| 3 | Max.Rated Current<br>额定电流         | ≤65mA/12VDC  |
| 4 | Min.Sound Pressure Level<br>额定声压  | at close position:93dB/12VDC/30cm<br>at open position:105dB/12VDC/30cm |
| 5 | Resonant Frequency<br>谐振频率        | 3.1± 0.5K  |
| 6 | Tone Nature<br>音调                 | Siren  |
| 7 | HousinG Material/Color<br>壳体材质/颜色 | ABS/Black  |

|                               |                |              |         |
|-------------------------------|----------------|--------------|---------|
| Specification for Piezo Siren |                | PaGe         | 4/9     |
|                               |                | Revision No. | 1.0     |
| Model No. :                   | KPS-G5040-K508 | DrawinG No.  | KTC508R |

## 4. Reliability Test

After test(1~6item), the Piezo Siren SOUND METER OR EQUIVALENT . difference shall be within  $\pm 10\text{dB}$ , and the appearance not exist any chanGe to be harmful to normal operation(e.G.cracks,rusts,damaGes and especially distortion).

在1-6项试验后，报警器的声压变化值在  $\pm 10\text{dB}$ 之内，外观无变化（例如：开裂、生锈、损伤、变形等现象）。

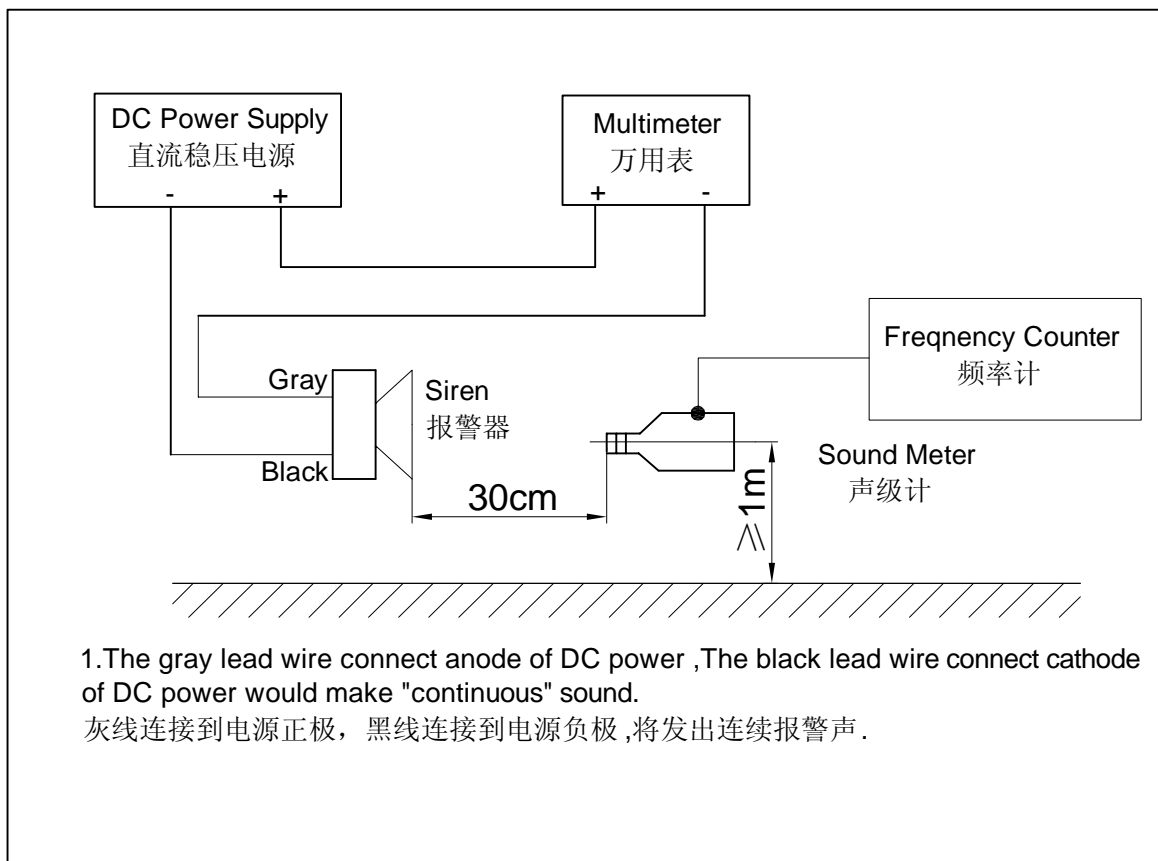
|   | Item                          | Specification  |
|---|-------------------------------|--|
| 1 | HiGh Temperature Test<br>高温试验 | <p>After beinG woked in a chamber with <math>+70\pm 2\text{ }^\circ\text{C}</math> for 2h and then beinG placed in natural condition for 2h, sounder shall be measured.</p> <p>将产品置于 <math>+70\pm 2\text{ }^\circ\text{C}</math> 试验箱中，先工作 2小时，然后在正常大气压条件下恢复2小时后，进行测量</p>   |
| 2 | Low Temperature Test<br>低温试验  | <p>First beinG worked in a chamber with <math>-30\pm 2\text{ }^\circ\text{C}</math> for 2h and then beinG placed in a chamber with <math>-30\pm 2\text{ }^\circ\text{C}</math> for 16h, finally beinG placed in natural condnion for 2h, sounder shall be measured.</p> <p>将产品置于 <math>-30\pm 2\text{ }^\circ\text{C}</math> 试验箱中，先工作 2小时，再放置16小时，然后在正常大气压条件下恢复2小时后，进行测量</p> |
| 3 | Humidity Test<br>潮湿试验         | <p>After beinG placed in a chamber with 90 to 95%R.H. at <math>+40\pm 2\text{ }^\circ\text{C}</math> for 2 h and then beinG placed in natural condition for 2h , sounder shall be measured.</p> <p>将产品置于湿度为 90-95%R.H，温度为 <math>40\pm 2\text{ }^\circ\text{C}</math> 试验箱中 2小时，然后在正常大气压条件下恢复2小时后，进行测量</p>   |
| 4 | Shock<br>耐冲击性                 | <p>Under acceleration of peak <math>100\text{m/s}^2(10\text{G})</math> &amp; half sine wave pulse (pulse time is 16ms)condition.run into product 1000 times continuously.</p> <p>峰值加速度 <math>100\text{m/S}^2(10\text{G})</math>,脉冲持续时间为 16ms的半正弦波脉冲对试样连续碰撞 1000次，测试报警器.</p>  |

|                               |                |              |         |
|-------------------------------|----------------|--------------|---------|
| Specification for Piezo Siren |                | PaGe         | 5/9     |
|                               |                | Revision No. | 1.0     |
| Model No. :                   | KPS-G5040-K508 | DrawinG No.  | KTC508R |

## 4. Reliability Test

|   | Item                         | Specification  |
|---|------------------------------|--|
| 5 | Drop Test<br>跌落试验            | Siren packed in the carton are dropped in six direction from the height of 50cm to the concrete floor.<br>跌落高度50cm,6个不同方向整箱跌落到水泥地, 试验后进行测量.  |
| 6 | Vibration Resistance<br>振动试验 | Siren shall be measured after being applied vibration of amplitude of 1.5mm with 10to 30Hz band of vibration frequency to each of 3 perpendicular directions for 2 hour.<br>振幅为1.5mm, 频率为10-30Hz,三个不同轴方向各振动2小时, 试验后进行测量. |

## 5. Measurement Block Diagram



|                               |                |              |         |
|-------------------------------|----------------|--------------|---------|
| Specification for Piezo Siren |                | PaGe         | 6/9     |
|                               |                | Revision No. | 1.0     |
| Model No. :                   | KPS-G5040-K508 | DrawinG No.  | KTC508R |

## 6. Structure

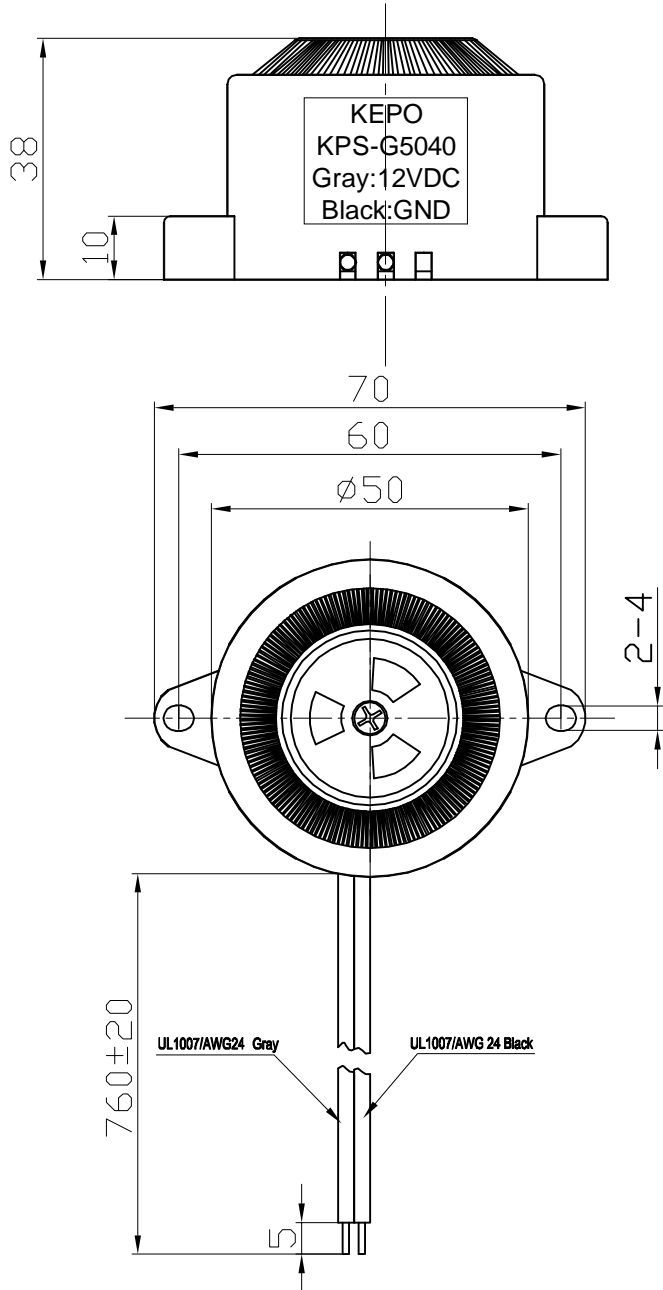
in this items we can Open and Close sound hole and change SPL of this item



|     |                            |      |                |              |
|-----|----------------------------|------|----------------|--------------|
| 7   | Wire<br>引线                 | 2    | /              |              |
| 6   | Component<br>元器件           | /    | /              |              |
| 5   | Element<br>蜂鸣片             | 1    | steel          |              |
|     |                            |      | Piezo Ceramic  |              |
| 4   | PCB<br>印制板                 | 1    | FR-2           |              |
| 3   | adjustment/Color<br>调节盖/颜色 | 1    | ABS/Black      |              |
| 2   | Cover/Color<br>后盖/颜色       | 1    | ABS/Black      |              |
| 1   | Case/Color<br>外壳/颜色        | 1    | ABS/Black      |              |
| No. | Part Name<br>型号            | Q'TY | Material<br>材质 | Remark<br>备注 |

|                               |              |         |
|-------------------------------|--------------|---------|
| Specification for Piezo Siren | PaGe         | 7/9     |
|                               | Revision No. | 1.0     |
| Model No. : KPS-G5040-K508    | DrawinG No.  | KTC508R |

### 7. Dimensions

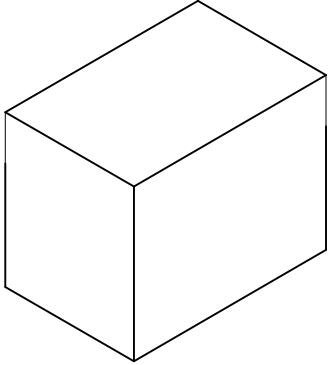


FIRST ANGLE PROJECTION

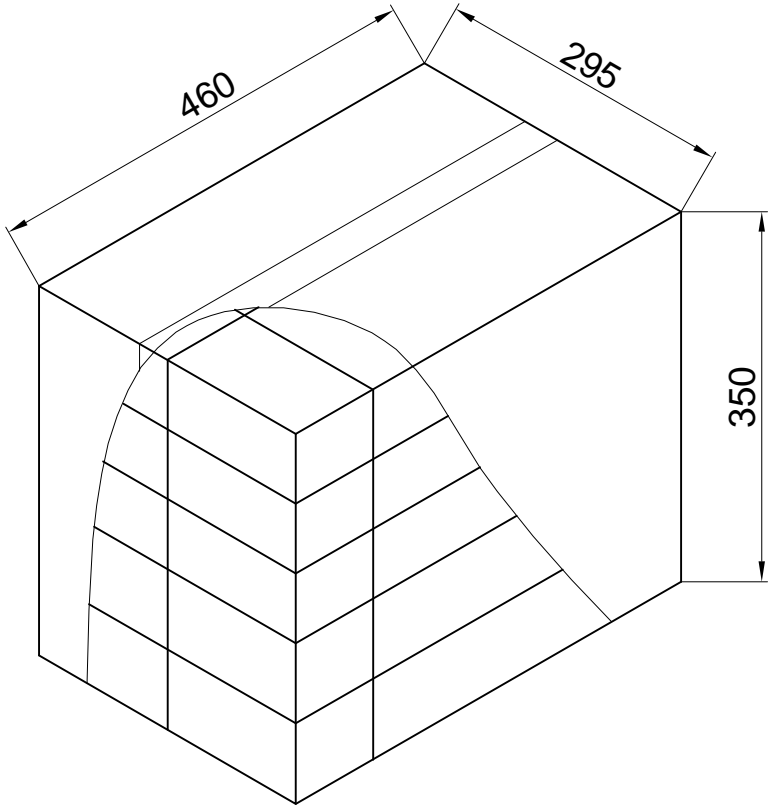
UNIT : mm  
Tolerance :  $\pm 0.5$

|                               |                |              |         |
|-------------------------------|----------------|--------------|---------|
| Specification for Piezo Siren |                | PaGe         | 8/9     |
|                               |                | Revision No. | 1.0     |
| Model No. :                   | KPS-G5040-K508 | DrawinG No.  | KTC508R |

8. Packing



Picture1 (1PC)



Picture2(250PCS)

QTY: 250Pcs  
460 x295x350mm



|                               |  |              |         |
|-------------------------------|--|--------------|---------|
| Specification for Piezo Siren |  | PaGe         | 9/9     |
| Model No. : KPS-G5040-K508    |  | Revision No. | 1.0     |
|                               |  | DrawinG No.  | KTC508R |

## 9. Revision

| Rev. No. | DATE       | PAGE | DESCRIPTION | SIGN |
|----------|------------|------|-------------|------|
| 1.0      | 2011.12.09 | 9    | primary     |      |
|          |            |      |             |      |
|          |            |      |             |      |
|          |            |      |             |      |
|          |            |      |             |      |
|          |            |      |             |      |
|          |            |      |             |      |
|          |            |      |             |      |
|          |            |      |             |      |
|          |            |      |             |      |
|          |            |      |             |      |
|          |            |      |             |      |
|          |            |      |             |      |
|          |            |      |             |      |
|          |            |      |             |      |
|          |            |      |             |      |
|          |            |      |             |      |
|          |            |      |             |      |
|          |            |      |             |      |
|          |            |      |             |      |
|          |            |      |             |      |
|          |            |      |             |      |
|          |            |      |             |      |
|          |            |      |             |      |